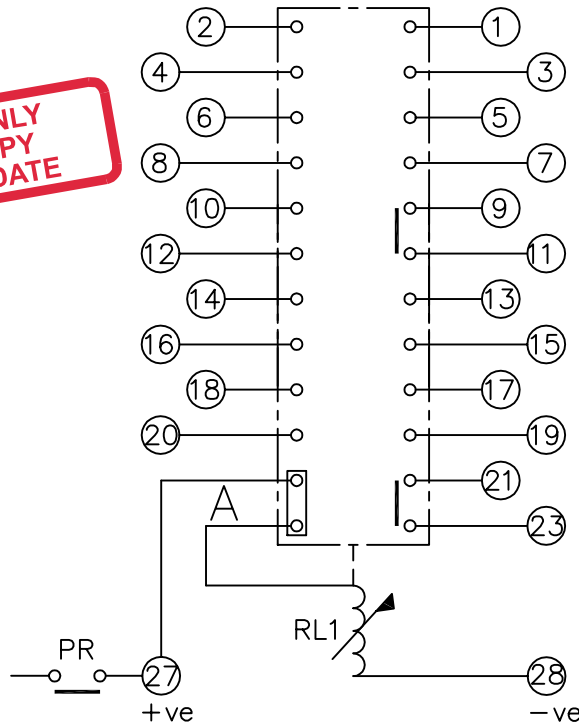


LOOKING ON FRONT OF RELAY

2112W50004

FOR INFORMATION ONLY
UNCONTROLLED COPY
NOT SUBJECT TO UPDATE



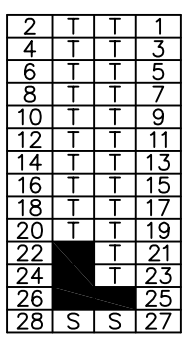
- KEY**
- ○ make contact
 - ⊠ break contact
 - ○ c/o contact
 - ⊖ ext. conn
 - ⌋ plug bridge - shorting
 - ⊖ ⊙ metering point
 - ⌋ 5Kv barrier
 - ⊠ test socket - shorting
 - ⊖ ⊙ plug & socket

CONTACT CONFIG.	OUTPUT CONTACT PAIR / TERMINAL No.											
	1-3	2-4	5-7	6-8	9-11	10-12	13-15	14-16	17-19	18-20	21-23	
11M	M	M	M	M	M	M	M	M	M	M	M	M
10M 1B	M	B	M	M	M	M	M	M	M	M	M	M
9M 2B	B	B	M	M	M	M	M	M	M	M	M	M
8M 3B	B	B	M	B	M	M	M	M	M	M	M	M
7M 4B	B	B	B	B	M	M	M	M	M	M	M	M
6M 5B	B	B	B	B	M	B	M	M	M	M	M	M
5M 6B	B	B	M	B	M	M	B	B	B	M	M	M
4M 7B	B	B	B	B	M	M	B	B	B	M	M	M
3M 8B	B	B	B	B	M	B	B	B	B	M	M	M
2M 9B	B	B	B	B	M	B	B	B	B	B	M	M

NOTE:
1. CONTACT CONFIGURATION ABOVE IS REQUIRED FOR RELAY OPERATION. FOR DETAILS OF VARIABLE CONTACT OPTIONS SEE TABLE OPPOSITE.

FRAME REFERENCE: E2FAQM.
FRAME TERMINAL BLOCK ASSY: -

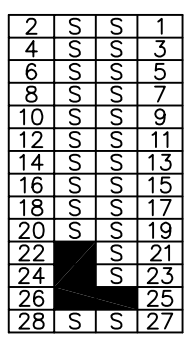
ASSEMBLY INSTRUCTIONS: -
TYPICAL ASSEMBLY DRAWING 2995G10032.
AT INDICATED POSITIONS FIT AS FOLLOWS:
T - FIT TRIP ISOLATION CONTACT 2995B10053
S - FIT STANDARD CONTACT 2995B10054
SECURE CONTACTS USING FIXING SCREW 2109F99009.
POSITIONS SHOWN BLANK ARE UNUSED



VIEW FROM NUMBERED SIDE OF BLOCK

OUTER TERMINAL BLOCK ASSY: -

ASSEMBLY INSTRUCTIONS: -
TYPICAL ASSEMBLY DRAWING 2995G10029.
AT INDICATED POSITIONS FIT AS FOLLOWS:
S - FIT STANDARD CONTACT 2995B10051
HC - FIT 'HEAVY CURRENT' KIT 2995G10030
WHERE ⊖ ⊙ IS SHOWN FIT CT SHORTING KIT 2995G10031
POSITIONS SHOWN BLANK ARE UNUSED.
ALL POSITIONS FIT SCREW 2106F12506.



VIEW FROM INSIDE FACE

			Title. T.B. AND WIRING DIAG. FOR TR121-11 RELAYS IN EPSILON E2 CASE.		First used on:	
					Similar Articles:	
					Supersedes:	
2 RDW	11/11/05	MN112/2744	Reyrolle Protection Hebburn.		Original Scale. . 2112W50004	
1	13/04/99					
ISSUE	DATE	MOD.No.				
DRAWN: A.LAW.	CHECKED:	APPROVED: R.D.WATSON	DATE: 16/07/02	Copyright © 1998 Reyrolle Ltd		